

Cam roller linear guide rails

for linear guide rail systems, C-profile

SPECIFICATION

Types

- Type **UT**: Floating bearing rail, with mounting hole for flat head screw
- Type **UV**: Floating bearing rail, with mounting hole for countersunk screw
- Type **XT**: Fixed bearing rail, with mounting hole for flat head screw
- Type **XV**: Fixed bearing rail, with mounting hole for countersunk screw

Heat treatable steel

- zinc plated, blue passivated
- Raceways hardened, ground

Flat head screws (only for type UT / XT)

Steel, zinc plated, blue passivated

INFORMATION

Cam roller linear guide rails GN 2422 can be combined with cam roller carriages GN 2424 or cam rollers GN 2426 to construct linear guide rail systems. These space-saving units are used, for example, for carrying sliding doors, or in mechanical engineering or jigmaking for the linear movement of plant equipment.

These systems feature high stability and quiet running at high traversal speeds. Thanks to the option of combining fixed and floating bearing rails, they cause no great stress to the surrounding construction, and thus allow parallelism errors to be compensated for. Flat head screws with low head are included with the rail types UT and XT.

- Linear guide rail systems (see page 660)

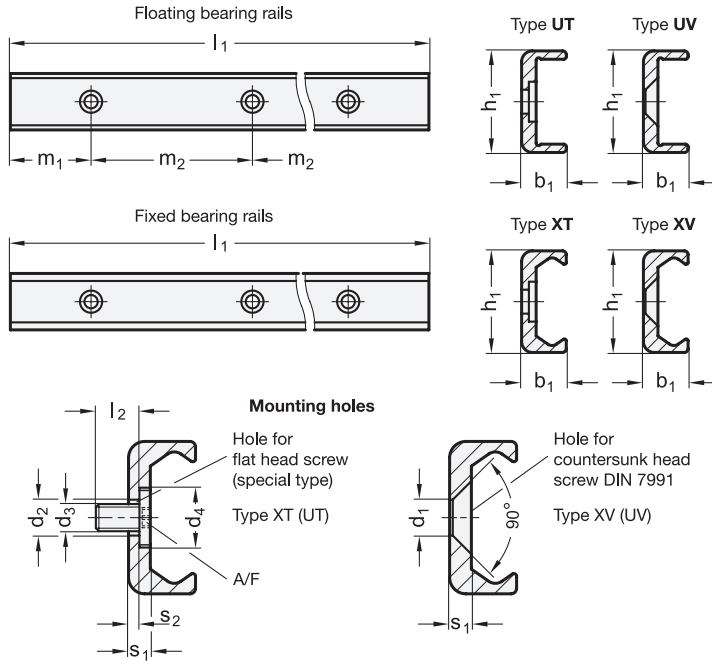
ACCESSORY

- Cam roller carriages GN 2424 (see page 656)
- Cam rollers GN 2426 (see page 658)

ON REQUEST

- other rail lengths (up to max. 3600 mm)
- other fixing hole distance m_1/m_2





* Complete with type of the Cam roller linear guide rails

UT UV XT XV

GN 2422

| Description | h1 | l1 | m1 | b1 | d1 | d2 | d3 | d4 | l2 | m2 | s1 | s2 | A/F | ⚖ |
|----------------------|----|------|----|------|-----|------|----|-----|----|----|-----|-----|-----|------|
| GN 2422-18-240-40-* | 18 | 240 | 40 | 8.3 | 4.5 | 5 | M4 | 9.5 | 8 | 80 | 2.8 | 0.8 | T20 | 132 |
| GN 2422-18-400-40-* | 18 | 400 | 40 | 8.3 | 4.5 | 5 | M4 | 9.5 | 8 | 80 | 2.8 | 0.8 | T20 | 220 |
| GN 2422-18-560-40-* | 18 | 560 | 40 | 8.3 | 4.5 | 5 | M4 | 9.5 | 8 | 80 | 2.8 | 0.8 | T20 | 308 |
| GN 2422-18-800-40-* | 18 | 800 | 40 | 8.3 | 4.5 | 5 | M4 | 9.5 | 8 | 80 | 2.8 | 0.8 | T20 | 440 |
| GN 2422-18-1040-40-* | 18 | 1040 | 40 | 8.3 | 4.5 | 5 | M4 | 9.5 | 8 | 80 | 2.8 | 0.8 | T20 | 572 |
| GN 2422-18-1200-40-* | 18 | 1200 | 40 | 8.3 | 4.5 | 5 | M4 | 9.5 | 8 | 80 | 2.8 | 0.8 | T20 | 660 |
| GN 2422-28-400-40-* | 28 | 400 | 40 | 12.3 | 5.5 | 6.4 | M5 | 11 | 10 | 80 | 4 | 2 | T25 | 484 |
| GN 2422-28-560-40-* | 28 | 560 | 40 | 12.3 | 5.5 | 6.4 | M5 | 11 | 10 | 80 | 4 | 2 | T25 | 678 |
| GN 2422-28-800-40-* | 28 | 800 | 40 | 12.3 | 5.5 | 6.4 | M5 | 11 | 10 | 80 | 4 | 2 | T25 | 968 |
| GN 2422-28-1040-40-* | 28 | 1040 | 40 | 12.3 | 5.5 | 6.4 | M5 | 11 | 10 | 80 | 4 | 2 | T25 | 1258 |
| GN 2422-28-1200-40-* | 28 | 1200 | 40 | 12.3 | 5.5 | 6.4 | M5 | 11 | 10 | 80 | 4 | 2 | T25 | 1452 |
| GN 2422-28-1440-40-* | 28 | 1440 | 40 | 12.3 | 5.5 | 6.4 | M5 | 11 | 10 | 80 | 4 | 2 | T25 | 1742 |
| GN 2422-35-400-40-* | 35 | 400 | 40 | 16.5 | 6.5 | 8 | M6 | 15 | 12 | 80 | 3.5 | 0.8 | T30 | 636 |
| GN 2422-35-560-40-* | 35 | 560 | 40 | 16.5 | 6.5 | 8 | M6 | 15 | 12 | 80 | 3.5 | 0.8 | T30 | 890 |
| GN 2422-35-800-40-* | 35 | 800 | 40 | 16.5 | 6.5 | 8 | M6 | 15 | 12 | 80 | 3.5 | 0.8 | T30 | 1272 |
| GN 2422-35-1040-40-* | 35 | 1040 | 40 | 16.5 | 6.5 | 8 | M6 | 15 | 12 | 80 | 3.5 | 0.8 | T30 | 1654 |
| GN 2422-35-1200-40-* | 35 | 1200 | 40 | 16.5 | 6.5 | 8 | M6 | 15 | 12 | 80 | 3.5 | 0.8 | T30 | 1108 |
| GN 2422-35-1440-40-* | 35 | 1440 | 40 | 16.5 | 6.5 | 8 | M6 | 15 | 12 | 80 | 3.5 | 0.8 | T30 | 2290 |
| GN 2422-43-400-40-* | 43 | 400 | 40 | 21 | 8.5 | 10.5 | M8 | 18 | 16 | 80 | 4.5 | 1.5 | T40 | 1004 |
| GN 2422-43-560-40-* | 43 | 560 | 40 | 21 | 8.5 | 10.5 | M8 | 18 | 16 | 80 | 4.5 | 1.5 | T40 | 1406 |
| GN 2422-43-800-40-* | 43 | 800 | 40 | 21 | 8.5 | 10.5 | M8 | 18 | 16 | 80 | 4.5 | 1.5 | T40 | 2008 |
| GN 2422-43-1040-40-* | 43 | 1040 | 40 | 21 | 8.5 | 10.5 | M8 | 18 | 16 | 80 | 4.5 | 1.5 | T40 | 2610 |
| GN 2422-43-1200-40-* | 43 | 1200 | 40 | 21 | 8.5 | 10.5 | M8 | 18 | 16 | 80 | 4.5 | 1.5 | T40 | 3012 |
| GN 2422-43-1520-40-* | 43 | 1520 | 40 | 21 | 8.5 | 10.5 | M8 | 18 | 16 | 80 | 4.5 | 1.5 | T40 | 3815 |
| GN 2422-43-2000-40-* | 43 | 2000 | 40 | 21 | 8.5 | 10.5 | M8 | 18 | 16 | 80 | 4.5 | 1.5 | T40 | 5020 |

Weight type UT

